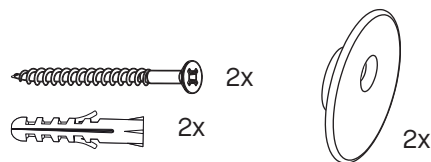
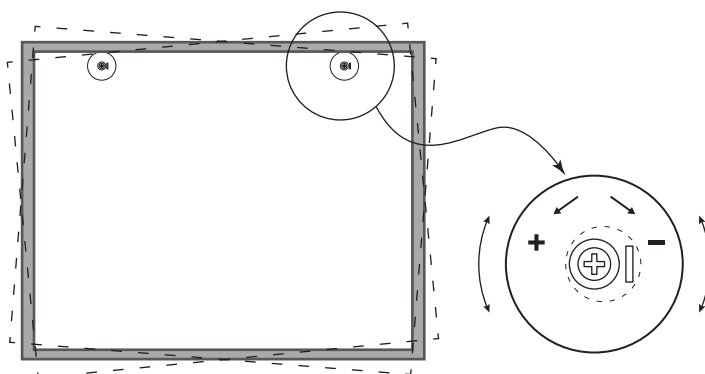
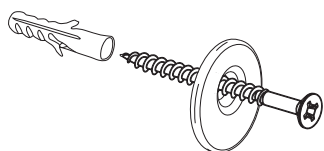


**B.Ambi 2 Plus**  
**2803.295**


suspension accessories delivered with the mirror



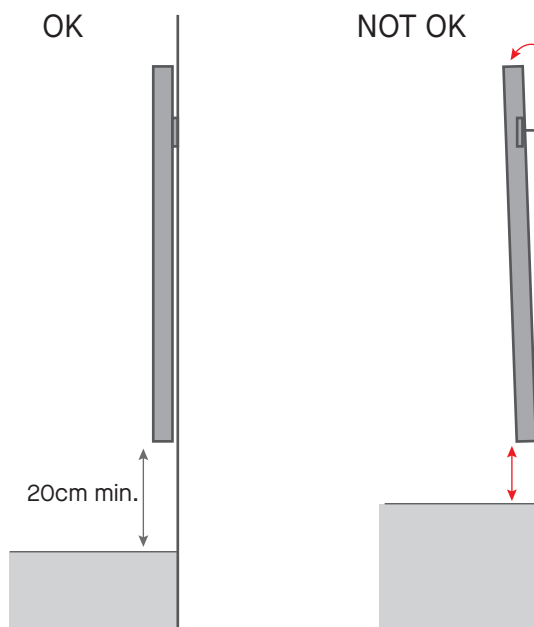
Mark the suspension point on your wall  
 drill holes and place the plugs, washers  
 and screws. The washers allow you to  
 slightly adjust the level of the mirror.


**CAUTION**

Always turn off the power supply during  
 installation and maintenance.

Hang the mirror at least 20cm above any object  
 (washbasin, tap, cabinet, ...).

Hang the mirror parallel to the wall for optimal  
 functioning of the sensor.



200-240 V  
 Pmax: 52W  
 Lamp type: flexible SMD 2835 LED, lifetime 30000h

