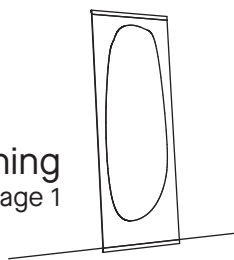


Obu
2838.311

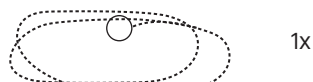
leaning
see page 1



hanged
see page 2

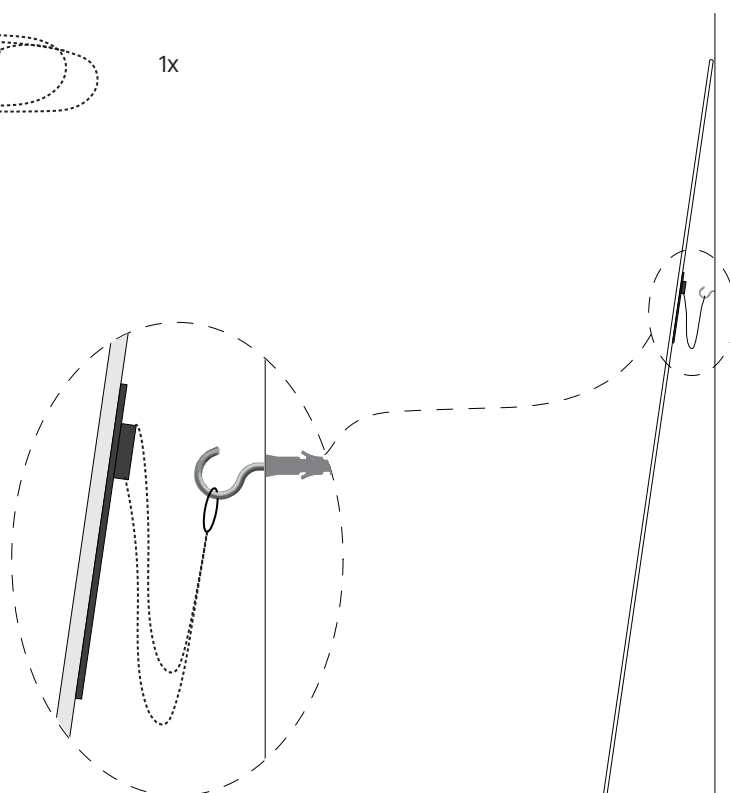


leaning



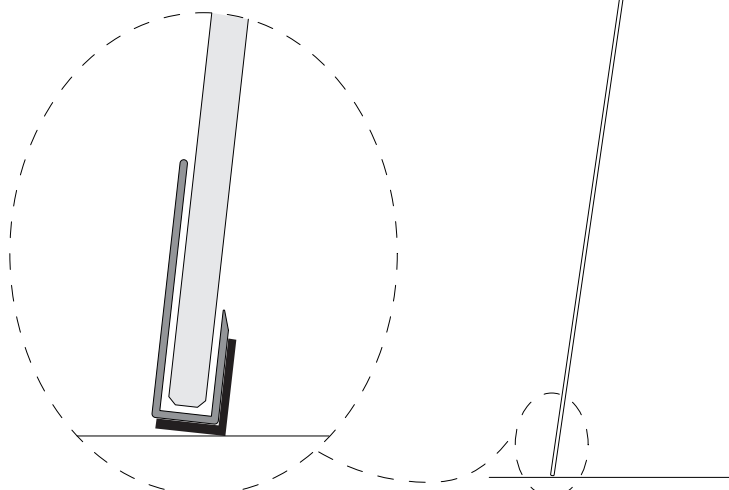
install the security chain

Drill a \varnothing 6mm hole in the wall behind the mirrored part of the mirror.
Thread the chain through one of the back plates of the mirror. Close the chain with the attached ring. And hitch it on the hook placed in the wall.



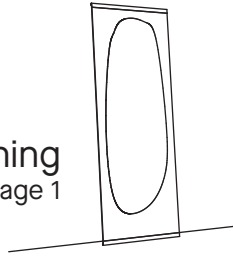
install the anti-skid foam

Stick the anti-skid foam provided on the bottom profile of the mirror. Stick them on the back corner so it is not visible.

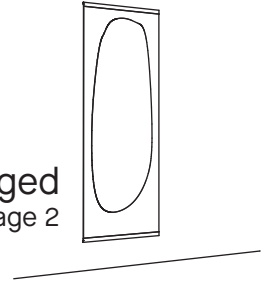


Obu
2838.311

leaning
see page 1



hanged
see page 2



hanged



hang the mirror on the wall

Drill 2 Ø 6mm holes at the desired height.
These holes have to be 200mm apart.
Place the hooks in the plugs and hang the
mirror

