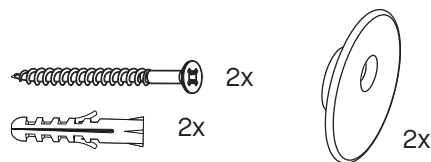


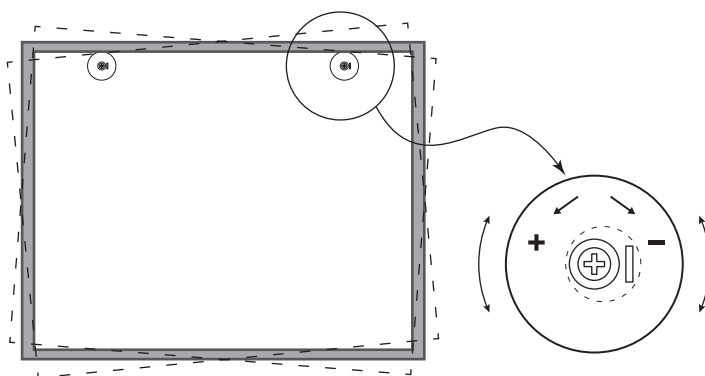
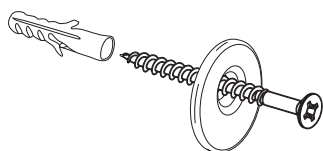
B.Ambi 1  
2803.194



suspension accessories delivered with the mirror



Mark the suspension point on your wall  
drill holes and place the plugs, washers  
and screws. The washers allow you to  
slightly adjust the level of the mirror.

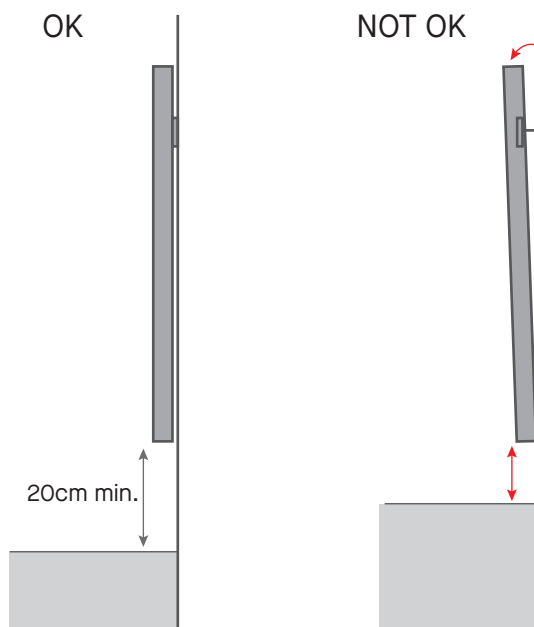


## CAUTION

Always turn off the power supply during  
installation and maintenance.

Hang the mirror at least 20cm above any object  
(washbasin, tap, cabinet, ...).

Hang the mirror parallel to the wall for optimal  
functioning of the sensor.



200-240 V  
Pmax: 20W  
Lamp type: flexible SMD 2835 LED, lifetime 30000h

IP44     