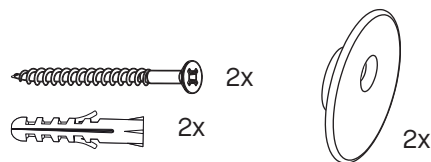


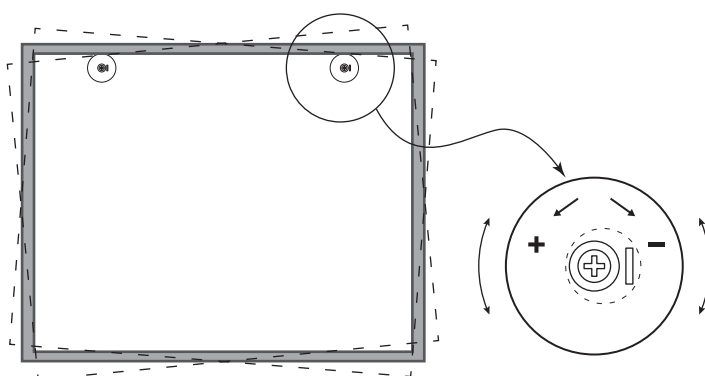
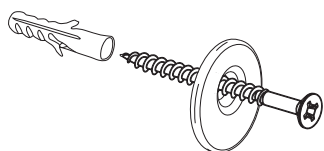
B.Light 1
2802.194



suspension accessories delivered with the mirror



Mark the suspension point on your wall
drill holes and place the plugs, washers
and screws. The washers allow you to
slightly adjust the level of the mirror.

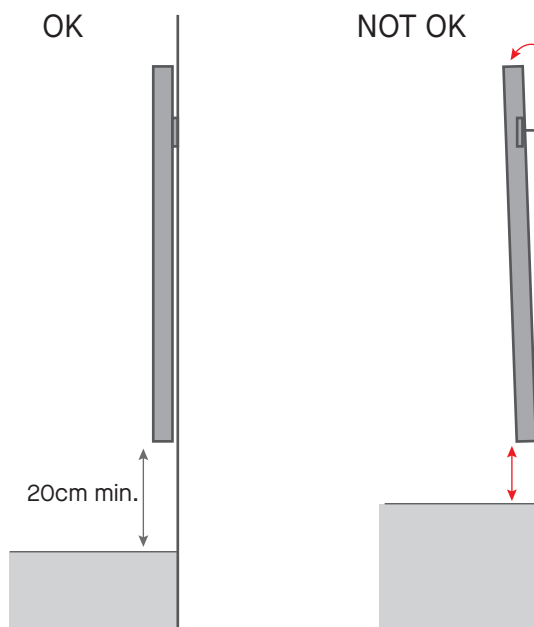


CAUTION

Always turn off the power supply during
installation and maintenance.

Hang the mirror at least 20cm above any object
(washbasin, tap, cabinet, ...).

Hang the mirror parallel to the wall for optimal
functioning of the sensor.



200-240 V
Pmax: 10W
Lamp type: flexible SMD 2835 LEF, lifetime 30000h

